

Beskyt kommunikationsudstyr med disse avancerede overspændings- og lynnedslagsbeskyttere.

- **En nødvendighed for kritiske systemer.**
- **Undgå kostbare reparationer og systemudfald.**

<p>Ethernet (Dual Port) Surge & Lightning Protector</p>		<p>Beskytter 10Base T eller 100Base T Ethernet porte mod overspænding og lynnedslag.</p>
<p>Telephone Line Surge & Lightning Protector</p>		<p>Beskytter telefonmodemer mod overspænding og lynnedslag.</p>

Common Features	Ethernet (Dual Port) Surge & Lightning Protector	Telephone Line Surge & Lightning Protector
Advanced 3 stage hybrid protection	✓	✓
Modular and compact design	✓	✓
DIN rail or direct panel mounting	✓	✓
Automatic grounding to DIN rail	✓	✓
UL and CE rated	✓	✓
Operating range of -40 to +85 C	✓	✓

10/100BaseT(x) Ethernet Surge and Lightning Protector

Select an Ethernet Surge Protector when...
 ...you want to protect your 10BaseT or 100BaseTx devices from voltage surges and lightning strikes.

- Advanced 3 stage hybrid protection
- Dual port – protects two Ethernet devices
- Save money on repair and replacement
- Modular and compact design
- DIN rail or direct panel mounting
- Protective grounding to DIN rail
- UL and CE rated for industrial use
- Compatible with SIXNET’s Industrial Ethernet Switch. Details at: www.industrialmodem.com



Protects all these ...

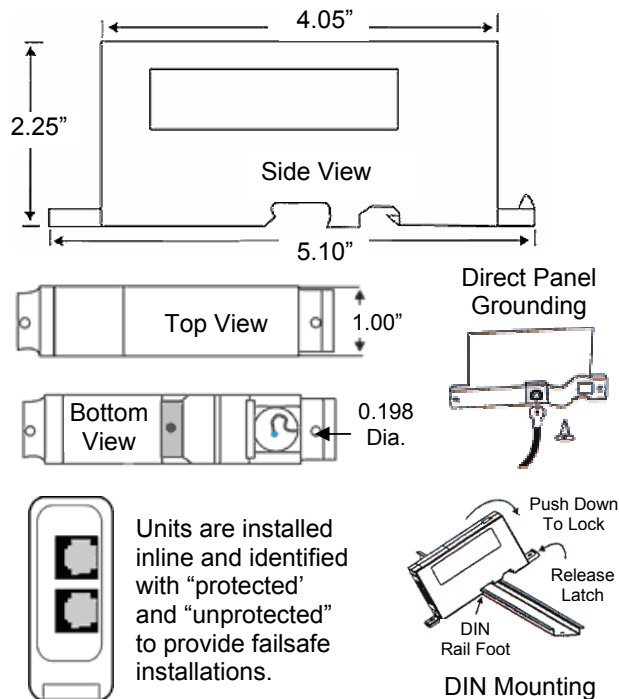
and much more ...

Surge Protectors Save Equipment and Money

A UPS claims to protect your computer from power line surges - but is it fully protected? Surges striking another Ethernet device can easily travel through network cabling to threaten your expensive computer, or worse - your irreplaceable data. If your network connects devices in different areas of your building, chances are multiple power systems supply your equipment. This means the potential for ground loops and other classic instrumentation faults is ever present. The solution is simple - install an inexpensive surge suppressor on each Ethernet port.

Performance Specifications	
Technology	High energy metal oxide varistors (MOVs) with a double network of ultra-fast diodes and silicon avalanche diodes
Usage	10BaseT or 100BaseTx
Ports protected	2 (4 lines per port)
Connectors	RJ45 (pins 1, 2, 3, 6)
Surge capacity	1 kA / line
Clamp and rated	10 V and 5 V
Max. frequency	155 MHz
Operating temp.	-40 to +85 °C
Attenuation	Better than -0.3 dB at 100 MHz
N.E.X.T.	Better than -43 dB at 100 MHz
Ratings	UL 497B, EIA/TIA (TSB 40A)

Ordering Information	
DESCRIPTION	PART NUMBER
Dual port protector (1 piece)	SP-ETH-2
Dual port protector (5 pack)	SP-ETH-2-5
Notes: Each protector supplied with a grounding kit for direct panel mounting and two 4 ft. Ethernet patch cables (cat. 5).	



Units are installed inline and identified with “protected” and “unprotected” to provide failsafe installations.

Installation Instructions

1. Snap to DIN rail or screw to panel. Make sure DIN rail is grounded. Use grounding kit if direct panel mounting.
2. Correct grounding is essential. Minimize distance from protector to ground point which should be common with AC GND.
3. Connect “unprotected” port to incoming line. Use supplied cable to connect “protected” port to device to be protected.

Telephone Line Surge and Lightning Protector

Select a Telephone Surge Protector when...

...you want to protect your telephone modems from voltage surges and lightning strikes.

- Advanced 3 stage hybrid protection
- Save money on repair and replacement
- Modular and compact design
- DIN rail or direct panel mounting
- Protective grounding to DIN rail
- UL and CE rated for industrial use
- Compatible with SIXNET's Industrial Telephone Modems. Details at: www.industrialmodem.com



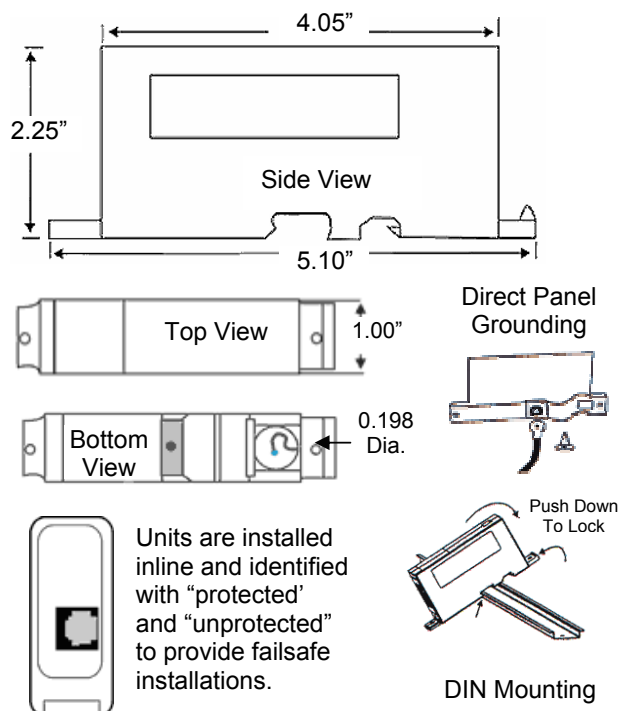
Use to protect internal or external modems, or any 2-wire telephone line device.

Surge Protectors Save Equipment and Money

Telephone lines are one of the most common entry points for voltage surges from lightning strikes or other sources. These surges can easily damage or completely destroy your expensive communications equipment. The solution is simple – install an inexpensive surge suppressor on each telephone device.

Performance Specifications	
Technology	Solid state sidactors with fast acting fuses and resistors
Usage	Telephone lines
Ports protected	1 (2 lines per port)
Connectors	RJ11 (pins 3, 4)
Surge capacity	1.9 kA / line
Clamp and rated	270 V and 200 V
Max. frequency	50 MHz
Operating temp.	-40 to +85 °C
Max. inline resistance	22 Ohm
Ratings	UL 497A, IEC801-5, CCITT K17

Ordering Information	
DESCRIPTION	PART NUMBER
Phone line protector (1 piece)	SP-TELCO-1
Phone line protector (5 pack)	SP-TELCO-1-5
Notes: Each protector supplied with a grounding kit for direct panel mounting and one telephone patch cable.	



Units are installed inline and identified with "protected" and "unprotected" to provide failsafe installations.

Installation Instructions

1. Snap to DIN rail or screw to panel. Make sure DIN rail is grounded. Use grounding kit if direct panel mounting.
2. Correct grounding is essential. Minimize distance from protector to ground point which should be common with AC GND.
3. Connect "unprotected" port to incoming line. Use supplied cable to connect "protected" port to device to be protected.
4. Important notes: Always use supplied patch cable. Ground leads should be 14AWG or larger and less than 12".

